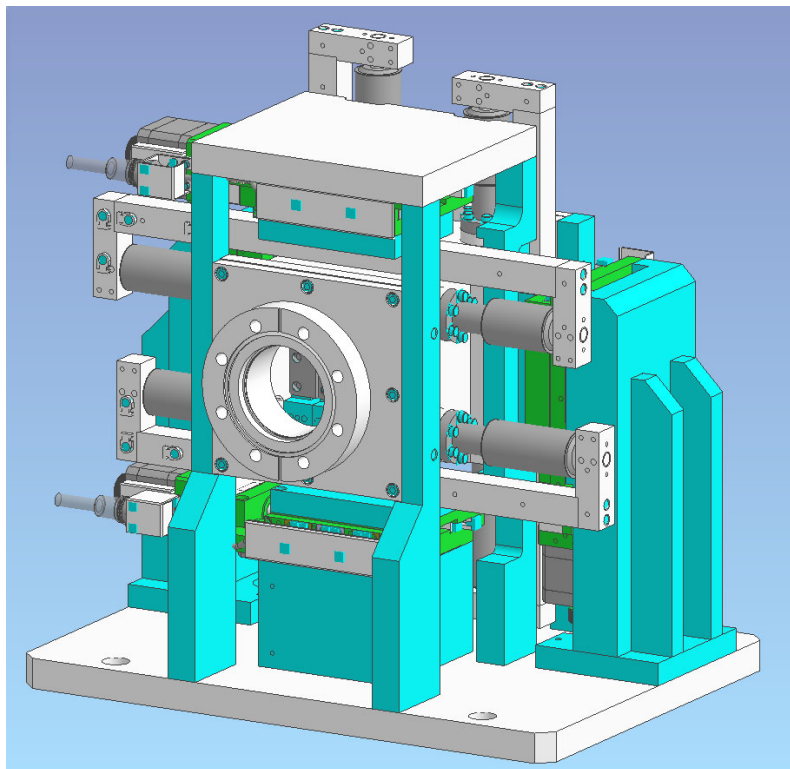


# Vacuum 4-Blades Slit <GHM-21>

## Wide Aperture version

The slit system achieves more precisely positioning. This is designed for a higher request of precisely X-ray shaping for a small sample measurement or nano- or micro-beam focusing.

(Shunji Goto et al MEDSI-Proc -04-40)



## Features

- ◆ High precision 4-blade slit for high vacuum (No Cooling System).
- ◆ Each blade is actuated independently.
- ◆ Reliable Kohzu Std. Stages are installed in air-side to move the blades.
- ◆ The extra support system allows the precise movement.
- ◆ Design for reducing deformation in driving mechanism so that it can cancel the atmospheric pressure.
- ◆ Vacuum  
1 x 10E-4 Pa
- ◆ Blade's Parallelism  
< 1 μm
- ◆ Perpendicularity  
< 2 mrad
- ◆ ICF152, ICF114 are available as connection to BL.
- ◆ The length between upstream and downstream port is 390 mm.

## Specifications

Model	GHM-21
Aperture	40 x 40 mm
Resolution (Half-step)	0.25 μm / step
Repeatability	±0.3 μm
Blade material	Tantalum (5 mm Knife Edge)
Vacuum	1 x 10E-4 Pa
Dimension	390 x 290 x 427 (W x L x H : mm) L is beam direction
Weight	45.0 kgf

Kohzu Precision Co.,Ltd.  
Tel: +81-44-981-2131  
Fax: +81-44-981-2181  
Email:sale@kohzu.co.jp  
URL://www.kohzuprecision.com