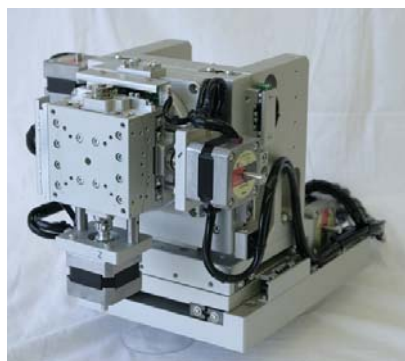


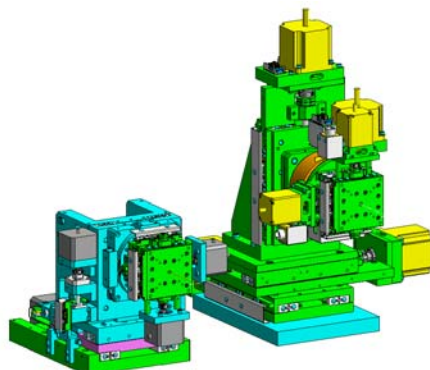


## 6-Axis Manipulator <MPS-Series>

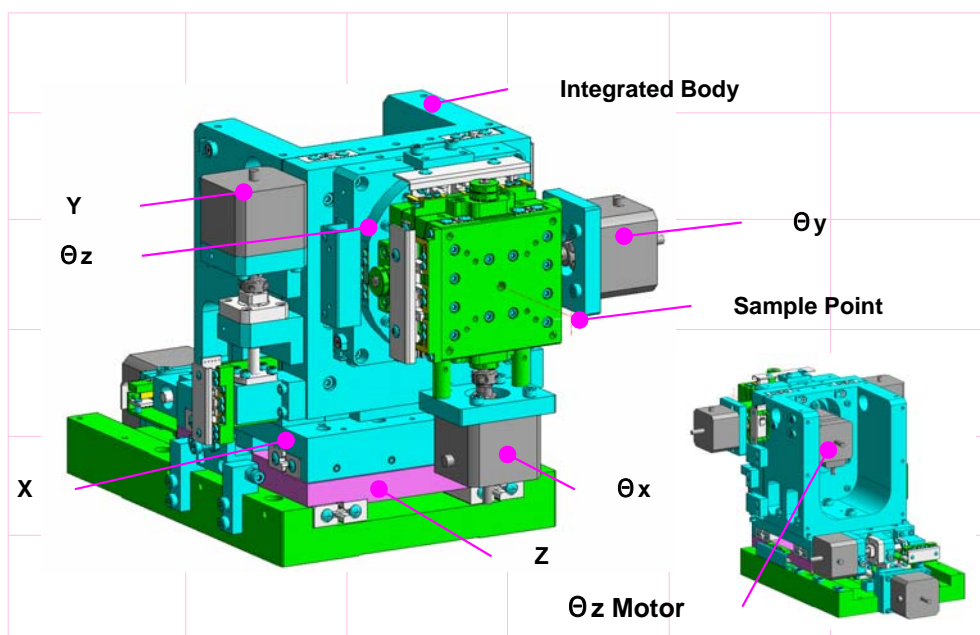
It is the newest product of 6 axis manipulator which are the most suitable for fine positioning with the element of liquid crystal projector or CCD camera.



< MPS-SSSD >



< MPS-SSSD (Left) , VKM-12 (Right) >



### Features

◆MPS-Series has 2 types mainly for the stroke.

MPS-SSSD  
MPS-LSLD

◆Compared with an old 6 axis manipulator (VKM-12),

Miniatureization  
50% Height down  
40% Width down

Light weighting  
30% Weight down

High Stiffness  
30% Stiffness UP

Cost reduction  
10% Price down

◆The special design for the compact integrated body (XYZ).

◆The reliable Kohzu swivel stages installed for the sample-nearest alignment stage as  $\theta y$ ,  $\theta x$ .

◆The unique thin design for  $\theta z$  allows saving the space and sample holding torque required.

### Specifications

| Model              | MPS-SSSD                                       |              |                        |                |               |
|--------------------|--|--------------|------------------------|----------------|---------------|
| Axis               | X, Y   | Z            | $\theta x$             | $\theta y$     | $\theta z$    |
| Resolution         | 0.1 $\mu\text{m}$                              |              | 0.00038°               | 0.00028°       | 0.0018°       |
| Motion Range       | $\pm 5 \text{ mm}$                             |              | $\pm 3 \text{ degree}$ |                |               |
| Maximum Speed      | 1<br>mm/sec                                    | 10<br>mm/sec | 3.8<br>° / sec         | 2.8<br>° / sec | 18<br>° / sec |
| Microstep Function | 1/20   |              | 1/2                    |                | 1/4           |
| Weight             | 11 kg  |              |                        |                |               |
| Dimension          | 230 x 360 x 215 (W x L x H : mm <sup>3</sup> ) |              |                        |                |               |

Kohzu Precision Co.,Ltd.

Tel: +81-44-981-2131

Fax: +81-44-981-2181

Email:sale@kohzu.co.jp

URL:/www.kohzuprecision.com