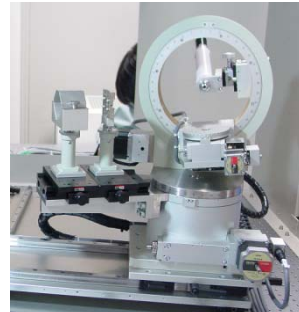
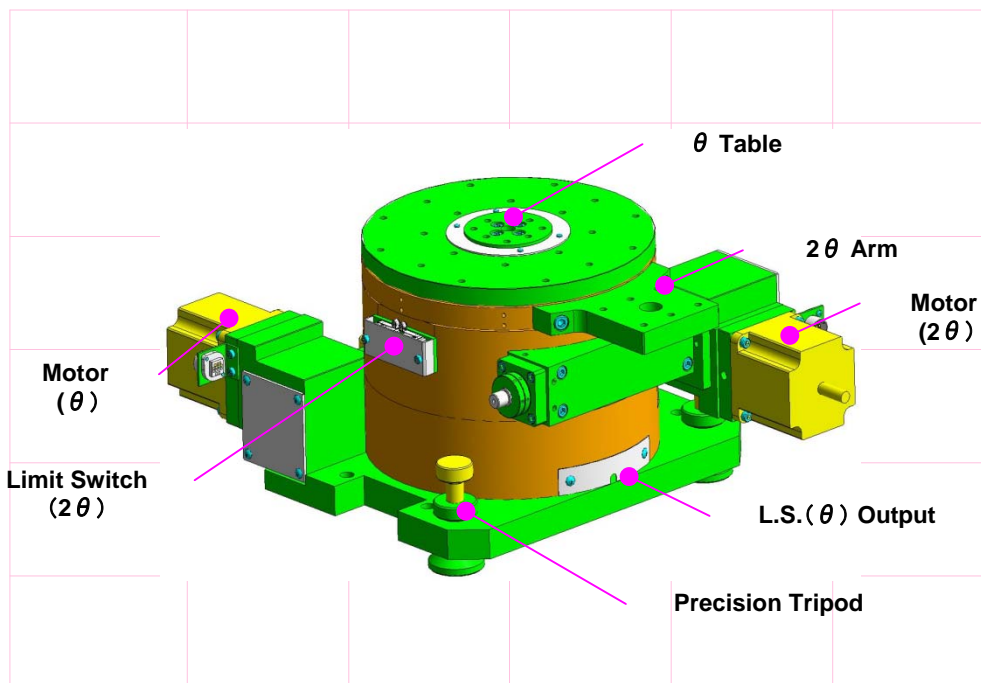


## Two Axis Rotation <RA20-21>

This two axis (  $\theta$ - $2\theta$  ) motorized rotation stage allows rotation independently of a sample with either a detector or analyzer mounted on a side arm.



An example for a system KDO-1 with RA20-21

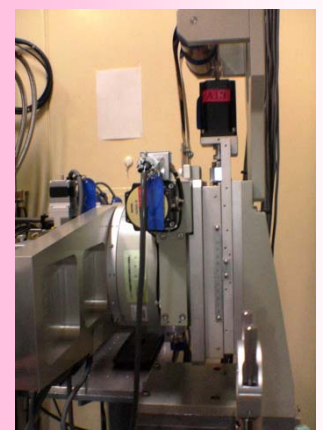


## Features

◆ Resolution of both axes is enhanced mechanically by using additional worm and worm wheel mechanism.



◆ The stage can be used in either horizontal or vertical orientation of the common rotation axis.



## Specifications

Model	RA20-21	
2 Axis	$\theta$	$2\theta$
Stroke	$\pm 170$ degree	$\pm 130$ degree
Resolution (Half-Step)	$0.0001^\circ$ / step	$0.0002^\circ$ / step
Maximum Speed	2 degree / sec	
Accuracy	0.01 degree / 360 degree	
Repeatability	0.004 degree	
Backlash	0.003 degree	
Eccentricity	10 $\mu$ m	
Wobble	10 $\mu$ m	
Weight	26 kg	