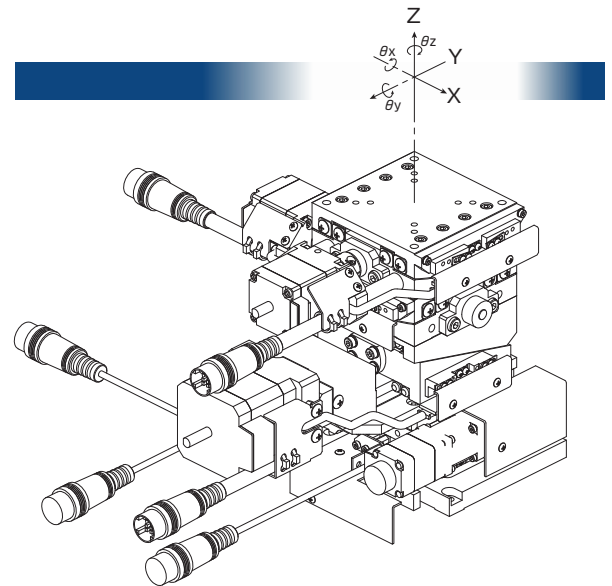
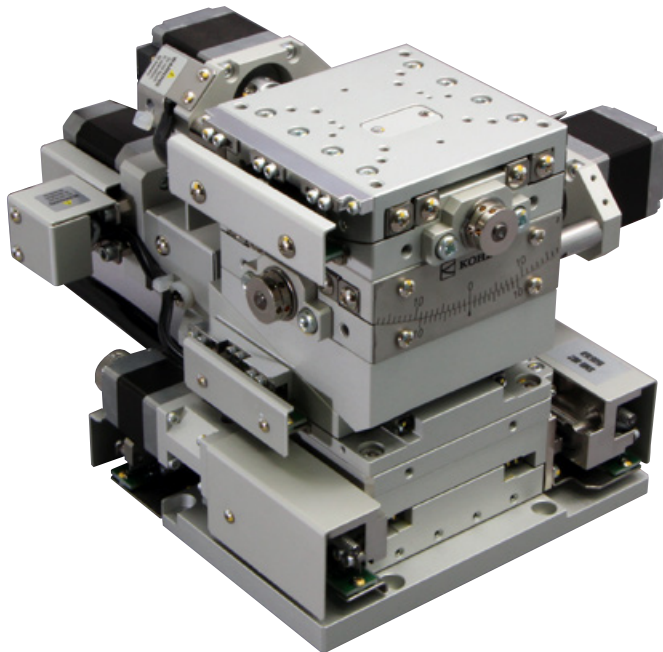


Compact 6-Axis Manipulator

SMR-6B201

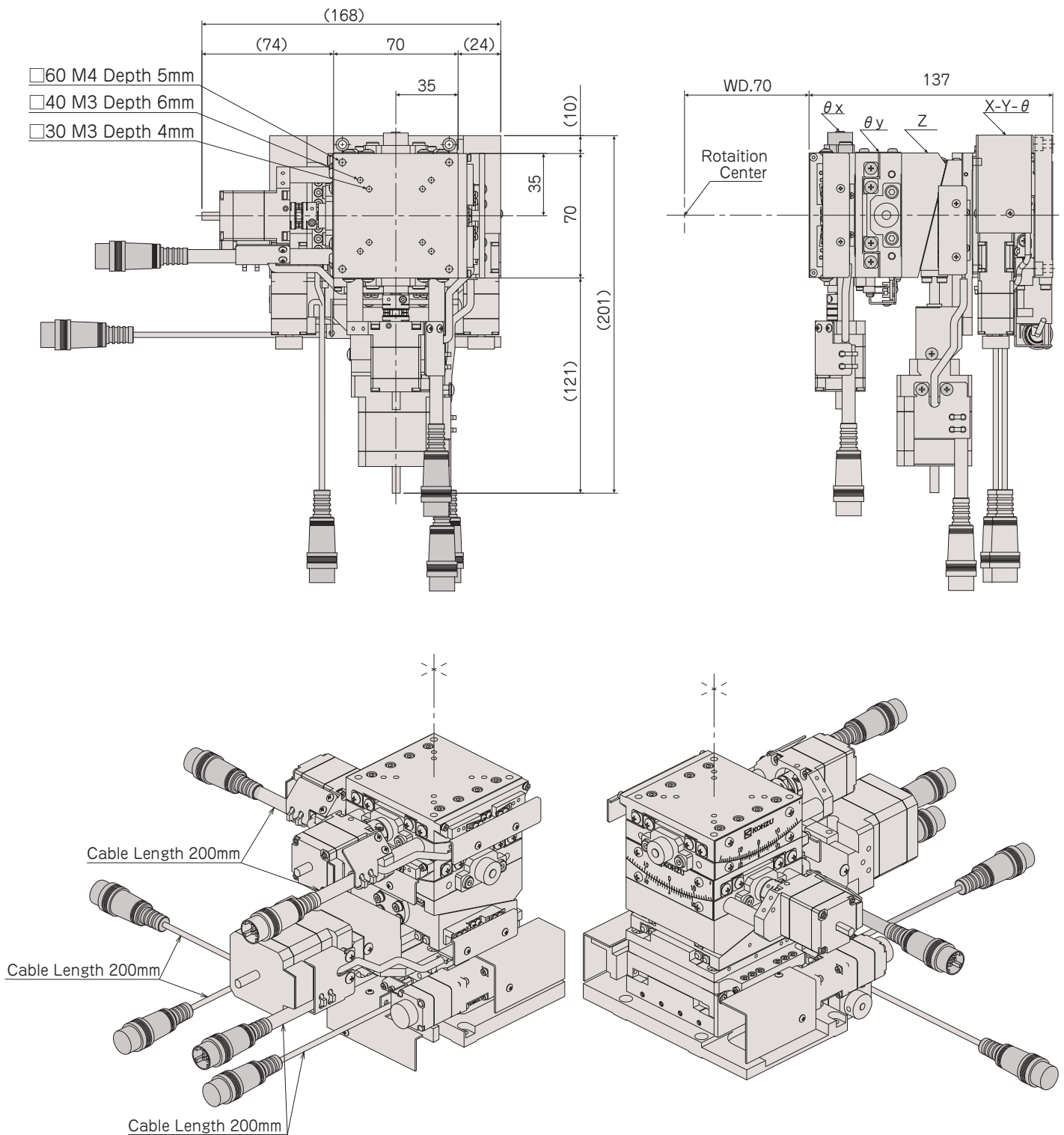


Positioning error will be increased each time we assemble stages. But our stages are designed and assembled with considering very good stiffness. Then, even if total 6 axes are assembled, the stages could keep the high accuracy and stiffness.

- Used for many production equipment for camera module in mobile phone.
- Used for production of high precision camera module with more than 20 million pixels.
- Positionings of sub-microns and angle seconds for alignment of CMOS sensor and lens are realizable.
- Suitable for the assembly of on-board camera module required higher precision in future.

Axis	Motion Range	Max Speed	Resolution (half Step)
X	±3mm	10mm/sec	1μm
Y			
Z	±2.5mm	1.25mm/sec	0.125μm
θ_x	±5°	11.3°/sec	0.000378°
θ_y	±4.5°	8.5°/sec	0.000282°
θ_z	±3°	12.7°/sec	0.00127°

Compact 6-Axis Manipulator SMR-6B201



KOHZU Precision Co., Ltd.
www.kohzuprecision.com

2-6-15, Kurigi, Asao-ku, Kawasaki, Kanagawa 215-8521, JAPAN
 Email : sale@kohzu.co.jp