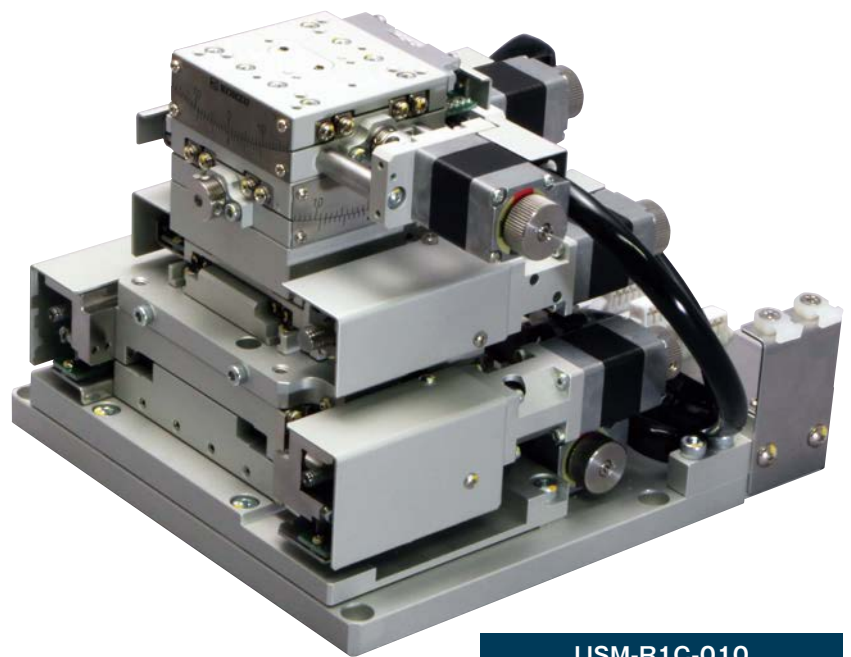
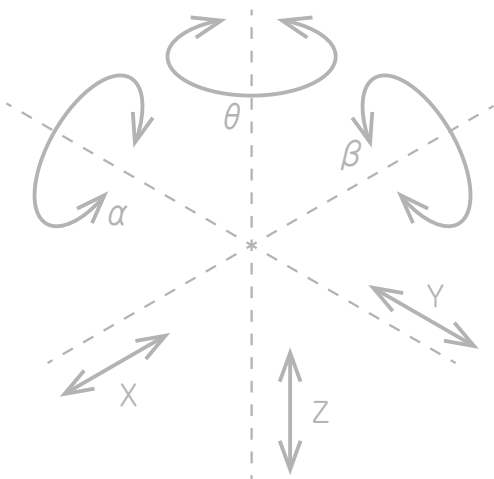


Ultra-Compact 6-Axis Manipulator

The new KOHZU 6-Axis Manipulator is a culmination of our extensive expertise in production and analysis equipment.

- Size and weight have been reduced while maintaining high accuracy and rigidity!!
- High precision ball screw drives for all axes ensure a long performance life!



USM-R1C-010

Feature

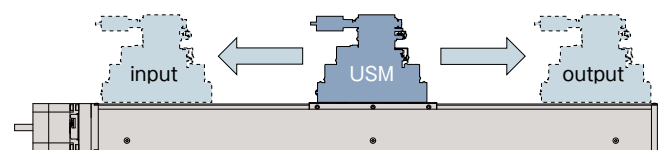
1 Centralized Connector Unit

The 6-axis motor and sensor wiring are concentrated in one location to make even complicated multi-axis wiring work easy (can also be removed if not needed).



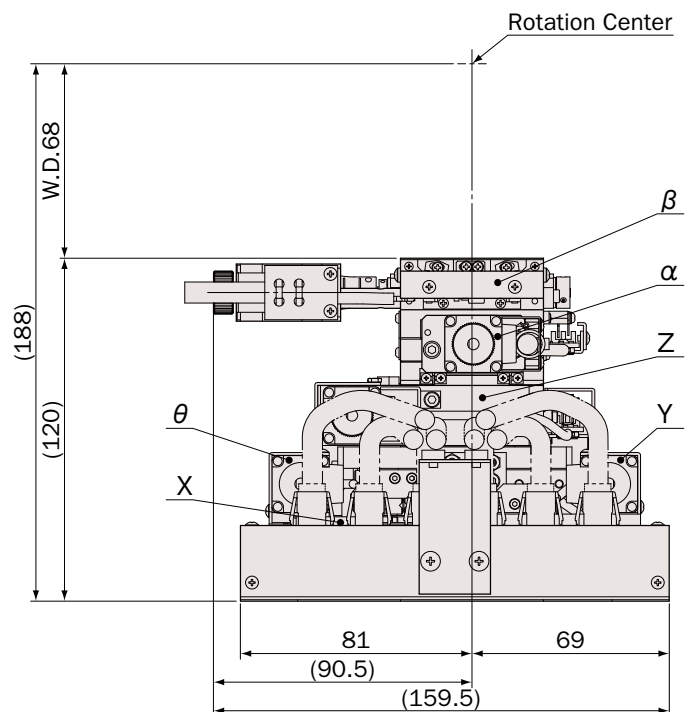
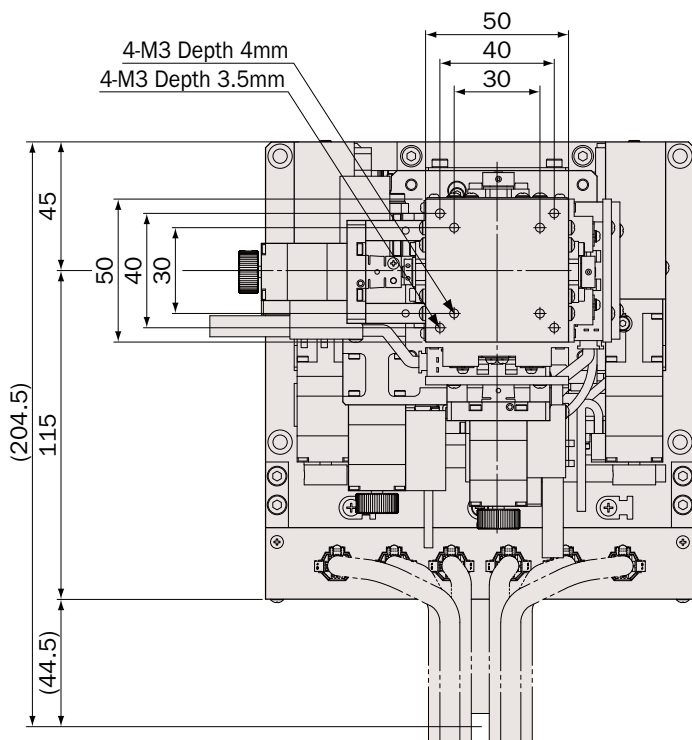
2 Compact and Lightweight

Lightweight design (approx. 3kg) enables installation on highspeed carrier stages



Long stroke X stage Model : XA16F-L2301 etc.

USM-R1C-010



#1 Tapped hole for M5 screw mount from back side.

Axis	Motion Range	Max Speed	Resolution (half step)	Resolution (1/20)
X	$\pm 3\text{mm}$	10mm/sec	1 μm	0.1 μm
Y	$\pm 3\text{mm}$	10mm/sec	1 μm	0.1 μm
Z	$\pm 1.5\text{mm}$	2.5mm/sec	0.25 μm	0.025 μm
θ	$\pm 3^\circ$	12.7°/sec	0.00127°	0.000127°
α	$\pm 3^\circ$	9.6°/sec	0.000637°	0.0000637°
β	$\pm 3^\circ$	12°/sec	0.000797°	0.0000797°

※ Resolution can be changed according to the number of driver divisions. (Micro-Step Setting)

KOHZU Precision Co., Ltd.
www.kohzuprecision.com

2-6-15, Kurigi, Asao-ku, Kawasaki, Kanagawa 215-8521, JAPAN

Email : sale@kohzu.co.jp